



1/2

SECURITY INTRUSION-FREE WATER TANK COVER VIGI



PLACE OF INSTALLATION :

Collection chamber, pumping station, deaerator...

INTRUSION-FREE TESTED :

Tested resistance & approved RC4

Certified by **CNPP** (French Lab) according to **EN 1627 & EN 1630**

STANDARD EQUIPMENT :

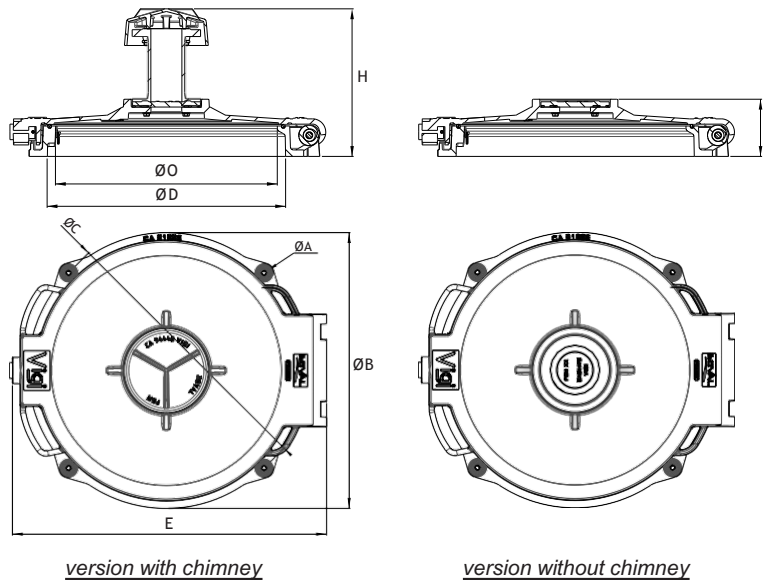
- Lift assistance at the opening
- Safety lock
- With chimney or full plate

MATERIAL & COVER :

- Cover, frame and chimney : High Resistance Cast Iron SECUR-IT
- Metallization and polyester coating RAL 7009
- Safety Lock: Stainless Steel
- Gasket : EPDM
- Screws : Stainless Steel

OPTIONS :

- Intrusion Detection Sensor
- Stainless Steel retention tank
- Fixing kit (**Code : 37531**)



Code	Version	Chimney	Locking	ØO	ØD	ØC	ØB	ØA	E	h	H	Mass			
												cover	frame	total	
mm													Kg		
37528	600	WITH	euro cylinder lock	608	663	745	750	18	867	/	459	52,5	34,0	114,3	
37527		WITHOUT	euro cylinder lock	608	663	745	750	18	867	168	/			96,0	
36754	700	WITH	euro cylinder lock	714	767	885	885	18	1006	/	475	82,0	59,5	174,0	
36753		WITHOUT	euro cylinder lock	714	767	885	885	18	1006	184	/			151,0	

All dimensions, weights and norms are given for information only. BERGTEC reserves the right to modify the specifications of products given in the present document.



2/2 | SECURITY ACCESS COVER VIGI



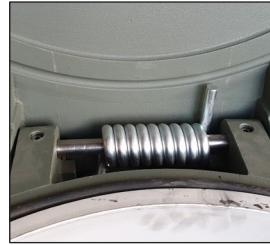
Vigi

HIGH RESISTANCE CAST IRON SECURITY ACCESS COVER-IT

The complete equipment VIGI, frame, cover, chimney is molded in a specific cast iron specially designed to be **ultra-resistant** and **anti-drilling**.

VIGI is Burglar-Resistant Approved RC4 and Certified by CNPP (French Lab) according to **EN 1627 & EN 1630**

*CNPP : Entreprise provides security services. The Company offers risk prevention and control for fire & explosion, cybersecurity, environmental damage, and malice sectors, as well as training, certification, testing, and assistance services. CNPP Entreprise serves customers worldwide..



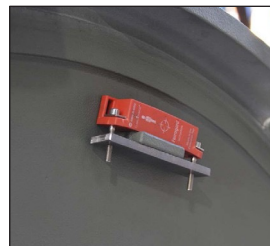
LIFT ASSISTANCE AT THE OPENING

A spring set up on the secure hinge provides lifting assist for opening and closing.



SECURITY LOCK

Opening and closing by high security lock :
- euro cylinder
- others : consult us



INTRUSION DETECTION SENSOR

consult us



STAINLESS STEEL RETENTION TANK

The stainless steel retention tank prevents solid or liquid residues from falling into the collection point.

Aeration is done only through the off-center aeration tube

Related items



REGULAR ACCESS COVER



STAINLESS STEEL RETENTION TANK