



STANDARD SAFETY ACCESS WATER TANK COVER



PLACE OF INSTALLATION :

Collection chamber, pumping station,
dearator...

STANDARD EQUIPMENT :

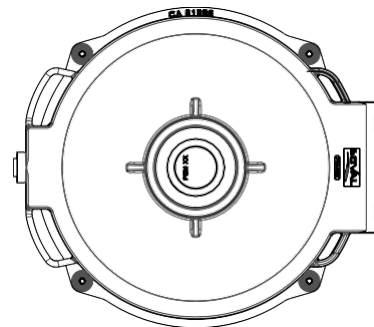
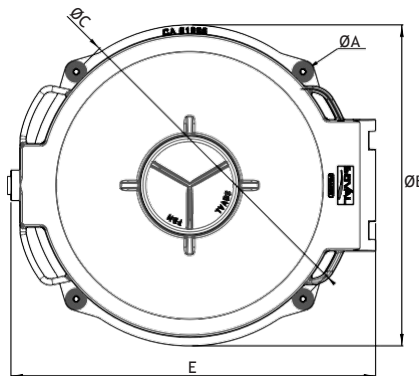
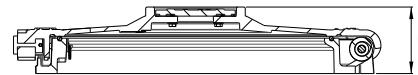
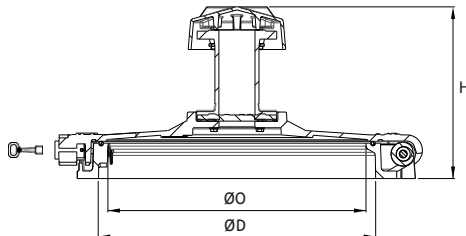
Lift assistance at the opening
Safety lock
With chimney or full plate

OPTIONS :

Intrusion Detection Sensor
Stainless Steel retention tank
Fixing kit (**Code : 37531**)

MATERIAL & COVER :

Cover, frame and chimney :
Spheroidal Cast Iron
Metallization and polyester coating RAL 7009 Safety
Lock: Stainless Steel
Gasket : EPDM
Screws : Stainless Steel



version with chimney

version without chimney

Code	Version	Chimney	Locking	ØO	ØD	ØC	ØB	ØA	E	h	H	Mass			
												cover	frame	total	
													mm		
													Kg		
40234	600	WITH	euro cylinder lock	608	663	745	750	18	867	/	459	52.5	34	114,3	
40238		WITHOUT	euro cylinder lock	608	663	745	750	18	867	168	/			96,0	
40235	700	WITH	euro cylinder lock	714	767	885	885	18	1006	/	475	82	59.5	174,0	
40239		WITHOUT	euro cylinder lock	714	767	885	885	18	1006	184	/			151,0	