


1/2

**MANHOLE COVER - LOCKED
HINGED
KEVA - CLASS E600**



SPECIFICATIONS :

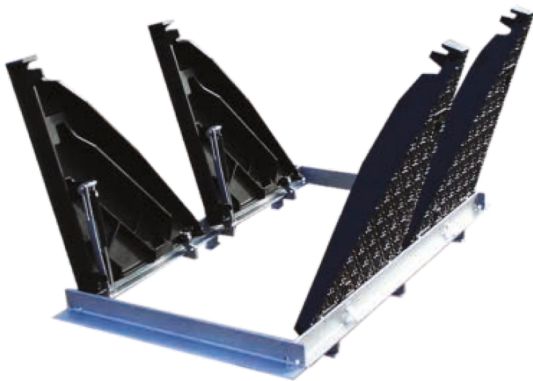
Norm : **EN 124-2**
 Loading : **600 kN**
 Locking : ¼ turn lock H Ø22 Stainless Steel
 Quality Label : Tüv 

MATERIAL & COATING :

Covers : Spheroidal Cast Iron
 EN-GJS-500-7. Water Based Black Paint
Frame : Steel Hot-Dip Galvanized
Hardware : Stainless Steel

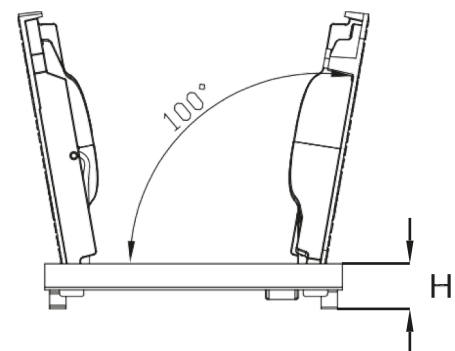
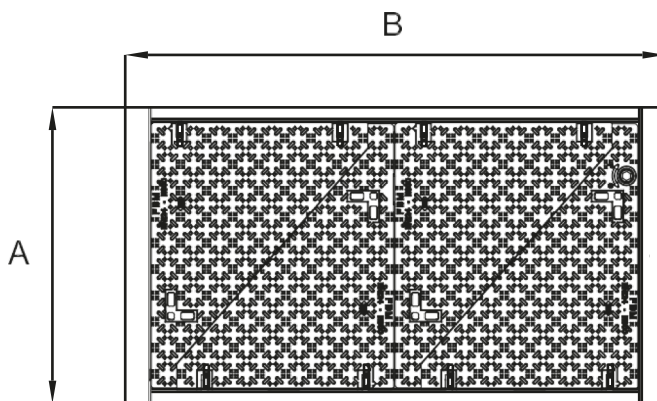
OPTIONS :

Special lock : burglar-proof SAE
 Custom Badging & Logo
 Fall safety Equipment



REMARKS :

Safety blocking to prevent accidental cover closure, activated automatically at the opening of the cover.



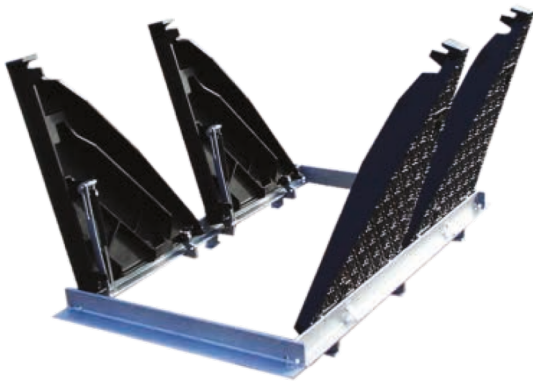
Reference	Description	Lay-out	Clear opening without lid	Freeway	A*	B*	H*	Total weight
				mm				Kg
25758	K1EVA		750 x 750	580 x 750	910	910	140	196
25759	K2EVA		750 x 1500	580 x 1500	910	1660	140	367
25760	K3EVA		750 x 2250	580 x 2250	910	2410	140	540
/	K4EVA		750 x 3000	580 x 3000	910	3160	140	685
Weight / Lid (Kg)								72

*External frame measure

All dimensions, weights and norms are given for information only. BERGTEC reserves the right to modify the specifications of products given in the present document.

2/2

MANHOLE COVER - LOCKED HINGED KEVA - CLASS E600



BESPOKE

On request, the manhole cover can be tailor-made with a special **badging embossed** and moulded in raw material & with a topcoating colored polyester paint.

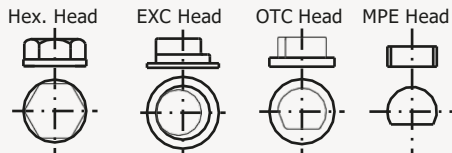


1/4 TURN LOCK

Cam and shaft in stainless steel. Locking and unlocking by rotation of a quarter turn of the screw.

1/4 turn locking systems are equipped as **standard** with **H22 hex heads**.

On request, Soval studies and provides you with **coded and customizable systems** to reinforce the security of these closures.



SAFETY BLOCKING SYSTEM «PULLED & CLOSED»

Cover blocked in open position = safety



Simplified unlocking and closing: Pulled & Closed system



Associated products

