



1/2 | **ROUND MANHOLE COVER  
MAXUM VENTILATED CLASS D400**



**PLACE OF INSTALLATION :**

Group 4, Class D 400, High Traffic  
Area ventilated > 140 cm<sup>2</sup>

**SPECIFICATIONS :**

Norm : **EN 124-2 / NF 110**  
Loading : **400 kN**  
Quality Label : Afnor

**MATERIAL & COATING :**

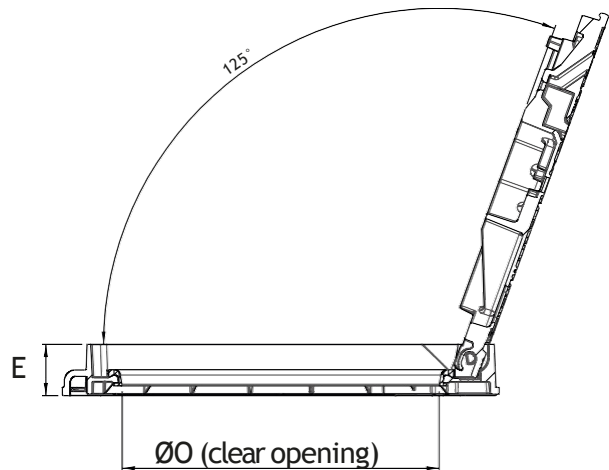
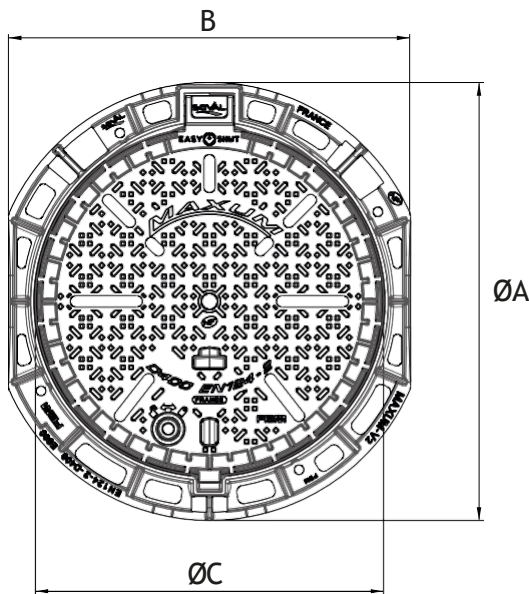
**Cover & Frame** : Spheroidal Cast Iron  
GS 500-7. Water Based Black Paint  
**Gasket** : EPDM Moulded Monobloc

**REMARKS :**

Gasket EPDM - Hardness > 80 Shore A.

**OPTIONS :**

Custom Badging & Logo  
1/4 turn lock



Reference	Version	Frame	B	Ø O	Ø C	Ø A		E	Weight	
						A x A			Cover	Total
mm										
19049	Easy-Shut	Round	780	Ø 610	Ø 675	Ø 850		100	52	87
17191		Square	/	Ø 610	Ø 675	850 x 850		100	52	93

All dimensions, weights and norms are given for information only. BERGTEC reserves the right to modify the specifications of products given in the present document.

2/2 | **ROUND MANHOLE COVER  
MAXUM VENTILATED CLASS D400**

**EASY SHUT**



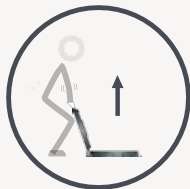
**VENTILATED COVER**

Its ventilated lid prevents the generation and accumulation of hydrogen sulfide (H<sub>2</sub>S).

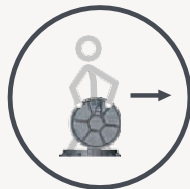
**NEW HINGE FOR EASIER HANDLING**

With **Easy-Shut**, operator doesn't need anymore to lift the cover up to **unlock** the safety blocking.

**One side pressure** is enough to **unlock** the safety blocking device.



BEFORE



AFTER



**SECURED OPENING**

Angular aperture and safety blocking at 110°



**HINGE WITH NON-CLOGGING DESIGN**

Largest hinge of the market (90mm) with a **non-clogging** design for a better stability when the cover is open



**BESPOKE**

On request, maxum can be tailor-made with a special **badging embossed** and moulded in raw material & with a topcoating colored polyester paint



**EPDM GASKET SOLIDITY**

High stability with **EPDM gasket** moulded monobloc 80 shore A fixed on the frame. High resistance to temperature variations (-50 up to +120°C)

**Related products**

