

RECESSED INFILL HYDRAULIC ACCESS COVER N°401 – 400 KN



PLACE OF INSTALLATION :

Products suitable for hard shoulders, parking areas

SPECIFICATIONS :

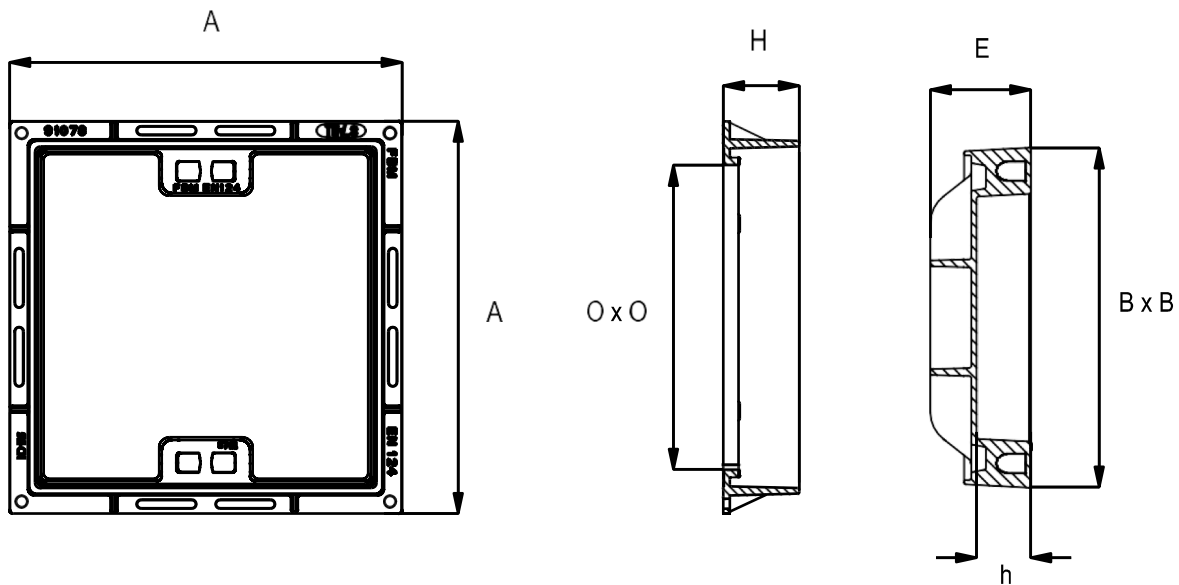
Loading : 400 kN

MATERIAL & COATING :

Cover & Frame : Spheroidal Cast Iron
GS 500-7. Water Based Black Paint

REMARKS :

Hydraulic closing prevents odors rising



Ref.	Description	frame	A	B	H	O	h	E	Mass	
									cover	total
			mm						Kg	
32911	350 x 350	square	400	345	112	300	80	140	19.0	35.0
32912	500 x 500	square	580	500	112	450	80	150	36.0	56.5
32913	650 x 650	square	740	650	112	600	80	160	52.5	81.0