

HINGED HYDRAULIC ACCESS COVER HYDR'O - CLASS B 125



PLACE OF INSTALLATION :

Group 2, Class B 125 : see EN 124-2

SPECIFICATIONS :

Norm : **EN 124-2 / NF 110**

Loading : **125 kN**

Quality Label : Afnor 

MATERIAL & COATING :

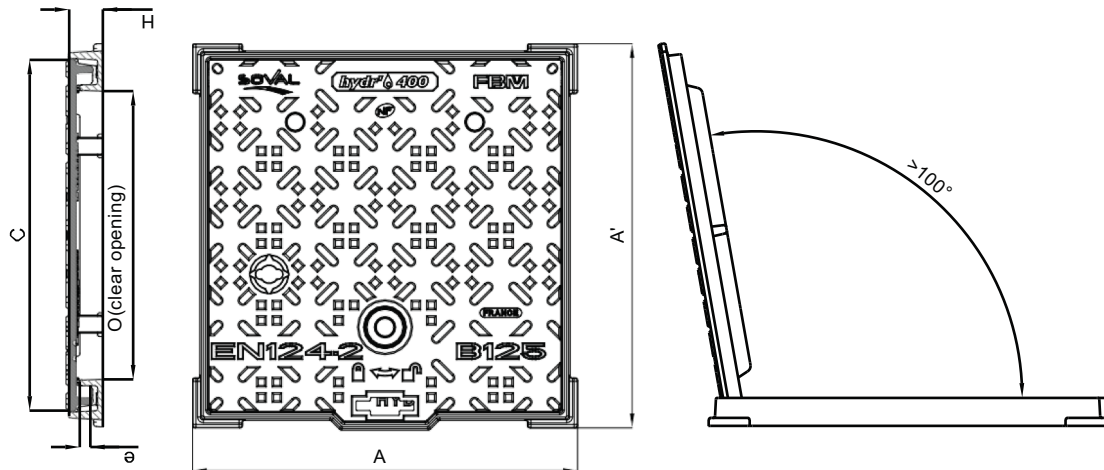
Cover & Frame : Spheroidal Cast Iron
GS 500-7. Water Based Black Paint

REMARKS :

Hydraulic closing prevents odors rising
Hinged lid

OPTIONS :

Logo & Badging
1/4 turn lock



Description	Ref.		Dimensions					Mass		
	Without lock	With lock	A x A'	C	Clear Opening	e	H	cover	total	surface
			mm					Kg		kg/m ²
Hydr'O 300	22383	23441	330 x 330	295	230 x 230	9	35	5,60	11,00	105,26
Hydr'O 400	22384	23442	400 x 400	365	305 x 305	11	35	8,40	15,00	93,33
Hydr'O 500	22385	23443	500 x 500	465	400 x 400	11	35	14,00	22,00	87,50
Hydr'O 600	22386	23444	600 x 600	565	500 x 500	8	41	23,00	41,00	93,12
Hydr'O 700	22387	23445	700 x 700	665	600 x 600	9	41	31,00	50,60	86,98