

ACCESS COVER FOR PIPE
INSTALLATION
N°160 BIS 400 KN



PLACE OF INSTALLATION :

For PVC pipe 315

SPECIFICATIONS :

Loading : **400 kN**

MATERIAL & COATING :

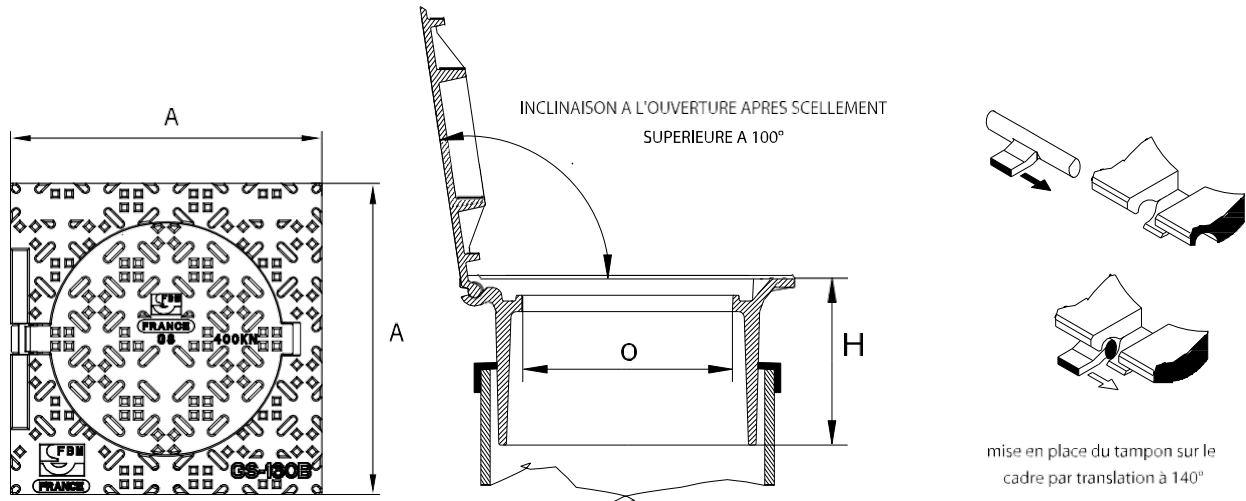
Cover & Frame : Spheroidal Cast Iron
GS 500-7. Water Based Black Paint

OPTIONS :

SBR Gasket

REMARKS :

Cover hinged & anti-theft after sealing
Locking & watertightness - consult us



Ref.	N°	Clear opening	A x A	H	Hydraulic	Mass		
						surface	cover	total
			mm			Kg / m ²	Kg	
26641	160 bis	Ø 230	360 x 360	155	YES	145	5,5	19,6