



ACCESS COVER FOR PIPE
INSTALLATION
N°161 TER CLASS C250



PLACE OF INSTALLATION :

Group 2, Class B 125 : see EN 124-2
For PVC pipe 315

SPECIFICATIONS :

Norm : **EN 124-2 / NF 110**
Loading : **250 kN**
Quality Label : Afnor

MATERIAL & COATING :

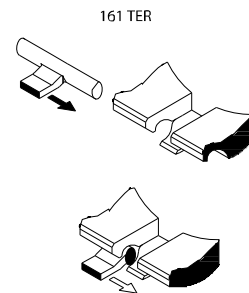
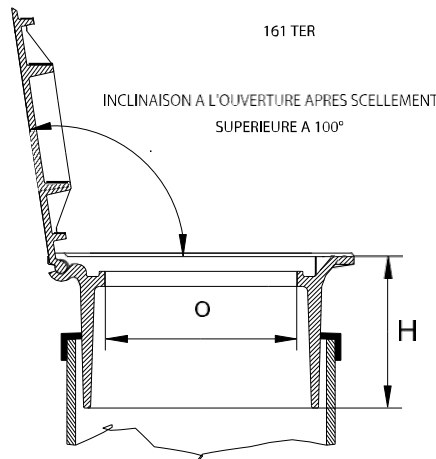
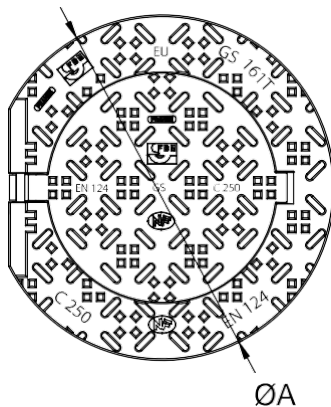
Cover & Frame : Spheroidal Cast Iron
GS 500-7. Water Based Black Paint

OPTIONS :

Locking by Hexagon socket countersunk
head cap screw



N°161 : not articulated
N°161 ter : hinged & hydraulic



mise en place du tampon sur le
cadre par translation à 140°

Ref.	N°	Clear opening	A x A	H	Mass		
					surface	cover	total
		mm			Kg / m ²	Kg	
15347	161 ter	Ø 230	Ø 400	155	145	5,5	18,3